



Packaging Information

| Case Type | Packaging | Quantity per unit (Pcs.) | Package size [mm. (inches)] | Quantity per carton (Pcs.) | Net weight per carton (Kgs.) | Gross weight per carton (Kgs.) | Carton size [mm. (inches)] |
|---------------|---------------------|--------------------------|--------------------------------|----------------------------|------------------------------|--------------------------------|------------------------------------|
| R-1 | BULK | 1,000 | 200x84x20 (7.87x3.31x0.79) | 50,000 | 10.00 | 12.65 | 215x450x240 (8.46x17.71x9.45) |
| | TAPE & AMMO (26 mm) | 3,000 | 45x255x78 (2.76x10.0x4.72) | 39,000 | 5.30 | 7.30 | 260x370x150 (10.24x14.57x5.90) |
| | TAPE & AMMO(52 mm) | 5,000 | 70x250x135 (2.76x10.0x) | 25,000 | 5.00 | 6.00 | 260x370x150 (10.24x14.57x5.90) |
| DO-34 (Glass) | BULK | 2,000 | 200x84x20 (7.87x3.31x0.79) | 100,000 | 9.30 | 11.75 | 215x450x240 (8.46x17.71x9.45) |
| | TAPE & REEL | 10,000 | φ 330x81 (φ 12.992x3.189) | 40,000 | 3.72 | 6.45 | 340x340x325 (13.39x13.39x12.79) |
| | TAPE & AMMO (26 mm) | 5,000 | 45x255x78 (1.77x10.04x3.07) | 65,000 | 5.30 | 6.30 | 260x370x150 (10.24x14.57x5.90) |
| | TAPE & AMMO (52 mm) | 10,000 | 70x250x120 (2.76x10.0x4.72) | 50,000 | 4.65 | 6.05 | 260x370x150 (10.24x14.57x5.90) |
| | BAG(500Pcs) & BULK | 5,000 | 115x155x45 (4.53x6.10x1.78) | 100,000 | 9.30 | 11.00 | 250x325x240 (9.84x12.80x9.45) |
| DO-35 (Glass) | BULK | 2,000 | 200x84x20 (7.87x3.31x0.79) | 100,000 | 12.70 | 15.10 | 215x450x240 (8.46x17.71x9.45) |
| | TAPE & REEL | 10,000 | φ 330x81 (φ 12.992x3.189) | 40,000 | 5.08 | 7.80 | 340x340x325 (13.39x13.39x12.79) |
| | TAPE & AMMO (26 mm) | 5,000 | 45x255x78 (1.77x10.04x3.07) | 65,000 | 6.20 | 8.00 | 260x370x150 (10.24x14.57x5.90) |
| | TAPE & AMMO (52 mm) | 10,000 | 70x250x120 (2.76x10.0x4.72) | 50,000 | 6.35 | 7.75 | 260x370x150 (10.24x14.57x5.90) |
| | BAG(500Pcs) & BULK | 5,000 | 92x170x50 (3.62x6.69x1.97) | 100,000 | 12.70 | 14.60 | 185x395x285 (7.28x15.55x11.22) |
| DO-41 (Glass) | TAPE & REEL | 5,000 | φ 330x81 (φ 12.992x3.189) | 20,000 | 5.10 | 7.30 | 340x340x325 (13.39x13.39x12.79) |
| | TAPE & AMMO (26 mm) | 2,500 | 45x255x78 (1.77x10.04x3.07) | 32,500 | 6.40 | 8.00 | 260x370x150 (10.24x14.57x5.90) |
| | TAPE & AMMO (52 mm) | 5,000 | 70x250x120 (2.76x10.0x4.72) | 25,000 | 6.38 | 7.45 | 260x370x150 (10.24x14.57x5.90) |
| | BAG(250Pcs) & BULK | 2,500 | 92x170x50 (4.62x6.69x1.97) | 50,000 | 12.75 | 14.65 | 250x325x240 (9.84x12.80x9.45) |
| DO-41 | BULK | 1,000 | 200x84x20 (7.87x3.31x0.79) | 50,000 | 16.75 | 19.20 | 215x450x240 (8.46x17.71x9.45) |
| | TAPE & REEL | 5,000 | φ 330x81 (φ 12.992x3.189) | 20,000 | 6.70 | 9.20 | 340x340x325 (13.39x13.39x12.78) |
| | TAPE & AMMO (26 mm) | 2,000 | 45x255x78 (1.77x10.04x3.07) | 26,000 | 5.90 | 7.00 | 260x370x150 (10.24x14.57x5.90) |
| | TAPE & AMMO (52 mm) | 4,000 | 70x250x135 (2.76x10.0x5.32) | 20,000 | 6.70 | 7.70 | 260x370x150 (10.24x14.57x5.90) |
| | TAPE & AMMO 120 | 3,000 | 70x250x120 (2.76x10.0x4.72) | 15,000 | 5.03 | 5.90 | 260x370x140 (10.24x14.57x5.51) |
| | BAG(200Pcs) & AMMO | 5,000 | 70x250x135 (2.76x10.0x5.32) | 25,000 | 8.38 | 9.30 | 260x370x150 (10.24x14.57x5.90) |
| | BULK (Zener GS) | 1,000 | 200x84x20 (7.87x3.31x0.79) | 50,000 | 16.80 | 18.75 | 215x450x230 (8.46x17.71x9.05) |
| D2 | BULK | 500 | 200x84x20 (7.87x3.31x0.79) | 25,000 | 11.75 | 14.35 | 215x450x240 (8.46x17.71x9.45) |
| | TAPE & REEL | 3,000 | φ 330x81 (φ 12.992x3.189) | 12,000 | 5.64 | 7.75 | 340x340x325 (13.39x13.39x12.80) |
| | TAPE & AMMO | 2,000 | 70x250x135 (2.76x10.0x5.32) | 10,000 | 4.70 | 5.65 | 260x370x150 (10.24x14.57x5.90) |



Packaging Information

| Case Type | Packaging | Quantity per unit (Pcs.) | Package size [mm. (inches)] | Quantity per carton (Pcs.) | Net weight per carton (Kgs.) | Gross weight per carton (Kgs.) | Carton size [mm. (inches)] |
|---------------|---------------------|--------------------------|--------------------------------|----------------------------|------------------------------|--------------------------------|------------------------------------|
| D2 | TAPE & AMMO 120 | 1,500 | 70x25x120 (2.76x10.0x4.72) | 7,500 | 3.50 | 4.30 | 260x370x140 (10.24x14.57x5.51) |
| | BAG(100Pcs) & AMMO | 2,500 | 70x250x135 (2.76x10.0x5.32) | 12,500 | 5.88 | 6.85 | 260x370x150 (10.24x14.57x5.90) |
| D2A | BULK | 500 | 200x84x20 (7.87x3.31x0.79) | 25,000 | 15.95 | 18.55 | 215x450x240 (8.46x17.71x9.45) |
| | TAPE & REEL | 3,000 | φ 330x81 (φ 12.992x3.189) | 12,000 | 7.66 | 9.75 | 340x340x325 (13.39x13.39x12.80) |
| | TAPE & AMMO | 2,000 | 70x250x135 (2.76x10.0x5.32) | 10,000 | 6.38 | 7.30 | 260x370x150 (10.24x14.57x5.90) |
| | BAG (100Pcs) & AMMO | 2,500 | 70x250x135 (2.76x10.0x5.32) | 12,500 | 7.98 | 8.95 | 260x370x150 (10.24x14.57x5.90) |
| DO-201 | BULK | 500 | 302x80x40 (11.89x3.15x1.58) | 15,000 | 13.94 | 16.65 | 310x420x255 (12.20x16.54x10.04) |
| | TAPE & REEL | 1,250 | φ 330x81 (φ 12.992x3.189) | 5,000 | 4.65 | 6.70 | 340x340x325 (13.39x13.39x12.80) |
| | TAPE & AMMO | 1,000 | 70x250x135 (2.76x10.0x5.32) | 5,000 | 4.65 | 5.60 | 260x370x150 (10.24x14.57x5.90) |
| | BAG (50Pcs) & AMMO | 1,500 | 70x250x135 (2.76x10.0x5.32) | 7,500 | 6.98 | 8.00 | 260x370x150 (10.24x14.57x5.90) |
| DO-201AD | BULK | 500 | 302x80x40 (11.89x3.15x1.58) | 15,000 | 17.22 | 19.95 | 310x420x255 (12.20x16.54x10.04) |
| | TAPE & REEL | 1,250 | φ 330x81 (φ 12.992x3.189) | 5,000 | 5.74 | 7.80 | 340x340x325 (13.39x13.39x12.80) |
| | TAPE & AMMO | 1,000 | 70x250x135 (2.76x10.0x5.32) | 5,000 | 5.74 | 9.70 | 260x370x150 (10.24x14.57x5.90) |
| | BAG(50Pcs) & AMMO | 1,500 | 70x250x135 (2.76x10.0x5.32) | 7,500 | 8.60 | 9.60 | 260x370x150 (10.24x14.57x5.90) |
| D6 | BULK | 200 | 302x80x40 (11.89x3.15x1.58) | 6,000 | 12.29 | 15.00 | 310x420x255 (12.20x16.54x10.04) |
| | TAPE & REEL | 800 | φ 330x81 (φ 12.992x3.189) | 3,200 | 6.56 | 8.45 | 340x340x325 (13.39x13.39x12.80) |
| MiniMELF | REEL | 3,000 | φ 178x14.4 (φ 7.008x0.567) | 120,000 | 3.72 | 6.90 | 215x405x265 (8.46x15.95x10.43) |
| | REEL | 10,000 | φ 330x14.4 (φ 12.992x0.567) | 50,000 | 1.55 | 2.85 | 340x340x100 (13.39x13.39x3.94) |
| MELF | REEL | 5,000 | φ 330x14.4 (φ 12.992x0.567) | 25,000 | 3.35 | 4.55 | 340x340x100 (13.39x13.39x3.94) |
| SOD-323 | REEL | 10,000 | φ 330x14.4 (φ 12.992x0.567) | 50,000 | 1.75 | 3.05 | 340x340x100 (13.39x13.39x3.94) |
| SMA(DO-214AD) | REEL | 5,000 | φ 330x18.4 (φ 12.992x0.724) | 25,000 | 1.68 | 2.90 | 340x340x100 (13.39x13.39x3.94) |
| SMB(DO-214AA) | REEL | 3,000 | φ 330x18.4 (φ 12.992x0.724) | 15,000 | 1.76 | 3.05 | 340x340x100 (13.39x13.39x3.94) |
| SMC(DO-214AB) | REEL | 2,500 | φ 330x22.4 (φ 12.992x0.882) | 10,000 | 2.51 | 3.65 | 340x340x100 (13.39x13.39x3.94) |
| DFS | REEL | 1,500 | φ 330x22.4 (φ 12.992x0.882) | 7,500 | 2.85 | 4.45 | 340x340x100 (13.39x13.39x3.94) |
| MBS | REEL | 2,500 | φ 330x22.4 (φ 12.992x0.882) | 15,000 | 1.28 | 2.45 | 340x340x100 (13.39x13.39x3.94) |



Packaging Information

| Case Type | Quantity per box (Pcs.) | Box size [mm. (inches)] | Quantity per carton (Pcs.) | Net weight per carton (Kgs.) | Gross weight per carton (Kgs.) | Carton size [mm. (inches)] |
|--------------------|-------------------------|---|----------------------------|------------------------------|--------------------------------|------------------------------------|
| WOB | 500 | 200x84x20 (7.87x7.87x1.85) | 5,000 | 6.26 | 8.00 | 215x405x265 (8.46x15.95x10.43) |
| KBP | 100 | 90x170x52 (3.54x6.69x1.97) | 2,000 | 6.52 | 8.70 | 185x395x285 (7.28x15.55x11.22) |
| KBL | 100 | 90x170x52 (3.54x6.69x1.97) | 2,000 | 11.61 | 13.80 | 185x395x285 (7.28x15.55x11.22) |
| GBU | 160 | 115x115x45 (4.53x6.10x1.77) | 3,200 | 11.50 | 13.20 | 250x325x240 (9.84x12.80x9.45) |
| BR6 | 200 | 160x210x38 (6.30x8.27x1.50) | 2,000 | 7.18 | 8.60 | 215x345x225 (8.46x13.58x8.86) |
| BR10 | 200 | 200x200x47 (7.87x7.87x1.85) | 2,000 | 11.45 | 13.20 | 215x405x265 (8.46x15.95x10.43) |
| BR50 | 50 | 155x165x30 (6.10x6.50x1.18) | 1,000 | 16.55 | 18.65 | 180x330x345 (7.09x12.99x13.58) |
| BR50W | 40 | 155x165x30 (6.10x6.50x1.18) | 800 | 12.52 | 14.60 | 180x330x345 (7.09x12.99x13.58) |
| RBV4 | 120 | 115x155x45 (4.53x6.10x1.77) | 2,400 | 10.27 | 12.10 | 250x325x240 (9.84x12.80x9.45) |
| RBV25 | 100 | 115x155x45 (4.53x6.10x1.77) | 2,000 | 15.60 | 17.40 | 250x325x240 (9.84x12.80x9.45) |
| BUTTON CASE | 2,000 | 72x255x120 (2.83x10.04x4.72) | 10,000 | 18.18 | 19.00 | 260x370x140 (10.24x14.57x5.51) |
| AR-L | 200 | 305x84x41 (12.0x3.30x1.61) | 6,000 | 16.39 | 19.10 | 310x420x255 (12.20x16.54x10.04) |
| MR | 2,000 | 72x255x120 (2.83x10.04x4.72) | 10,000 | 16.10 | 16.80 | 260x370x140 (10.24x14.57x5.51) |
| MR-L | 200 | 305x84x41 (12.0x3.30x1.61) | 6,000 | 15.31 | 18.00 | 310x420x255 (12.20x16.54x10.04) |
| DFM | 50 | 440 Length (17.4 Length) | Plastic Tubes | | | |
| MBM | 100 | 70x250x135 | Plastic Tubes | | | |
| TO-220AB, AC | 50 | Tube 32x520x6 (1.23x20.52x0.24) | 1,000 | 1.95 | 2.81 | 140x540x85 (5.51x21.26x3.35) |
| | 500 | 160x210x38 (6.50x8.27x1.50) | 5,000 | 9.39 | 10.80 | 250x325x240 (9.84x12.80x9.45) |
| ITO-220AB, AC | 50 | Tube 32x520x6 (1.23x20.52x0.24) | 1,000 | 1.75 | 2.60 | 140x540x85 (5.51x21.26x3.35) |
| | 500 | 160x210x38 (6.30x8.27x1.50) | 5,000 | 8.75 | 10.15 | 250x325x240 (9.84x12.80x9.45) |
| TO-247AD | 120 | 90x170x52 (3.54x6.69x1.97) | 2,400 | 15.08 | 17.35 | 185x395x285 (7.28x15.55x11.22) |
| D ² PAK | 50 | Tube 32x520x6 (1.23x20.52x0.24) | 1,000 | 1.44 | 2.30 | 140x540x85 (5.51x21.26x3.35) |
| CELL 3A | 10,000 | Bottle ϕ 70x120 (ϕ 2.76x4.72) | 100,000 | 9.20 | 10.00 | 260x370x150 (10.24x14.57x5.90) |
| CELL 5A | 10,000 | Bottle ϕ 70x120 (ϕ 2.76x4.72) | 100,000 | 15.40 | 16.20 | 260x370x150 (10.24x14.57x5.90) |
| CELL 8A | 5,000 | Bottle ϕ 70x120 (ϕ 2.76x4.72) | 50,000 | 9.75 | 10.55 | 260x370x150 (10.24x14.57x5.90) |
| CELL 18A | 5,000 | Bottle ϕ 70x120 (ϕ 2.76x4.72) | 50,000 | 12.15 | 12.95 | 260x370x150 (10.24x14.57x5.90) |
| CELL 25A | 5,000 | Bottle ϕ 70x120 (ϕ 2.76x4.72) | 50,000 | 12.55 | 13.35 | 260x370x150 (10.24x14.57x5.90) |



Packaging Information

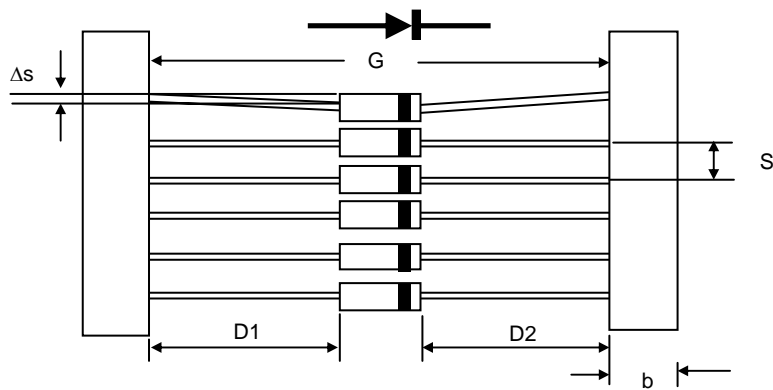
| Package | Tape Width | Pitch | | Reel Size | | Devices Per Reel and Minimum Order Quantity |
|---------|------------|-----------|---------------|-----------|--------|--|
| | (mm) | (mm) | (inch) | (mm) | (inch) | (Pcs.) |
| SOT-23 | 8 | 4.0 ± 0.1 | 0.157 ± 0.004 | 178 | 7 | 3,000 |
| SOD-123 | 8 | 4.0 ± 0.1 | 0.157 ± 0.004 | 178 | 7 | 3,000 |
| SOD-323 | 8 | 4.0 ± 0.1 | 0.157 ± 0.004 | 178 | 7 | 3,000 |
| SOD-523 | 8 | 4.0 ± 0.1 | 0.157 ± 0.004 | 178 | 7 | 4,000 |



Packaging Information

TYPE DIMENSIONS (AXIAL LEAD DIODES)

| CASE TYPE (Outline) | Type Dimensions | | | |
|---|-----------------------------------|------------|----------------------------------|-----------------------------------|
| | S | Δs | b | G |
| DO-34, DO-35, DO-41 (Glass), DO-41 (Plastic), R-1, D2, D2A | 5 ± 0.5 (0.196 \pm 0.0196) | 1.2(0.047) | 6 ± 1.05 (0.236 \pm 0.039) | 52 ± 1.50 (2.047 \pm 0.059) |
| DO-34, DO-35, DO-41 (Glass), DO-41 (Plastic), D2, D2A | 5 ± 0.5 (0.196 \pm 0.0196) | 1.2(0.047) | 6 ± 1.05 (0.236 \pm 0.039) | 26 ± 1.0 (1.023 \pm 0.039) |
| DO-201, DO-201AD, D6 | 10 ± 0.5 (0.393 \pm 0.0196) | 1.2(0.047) | 6 ± 1.05 (0.236 \pm 0.039) | 52 ± 1.50 (2.047 \pm 0.059) |

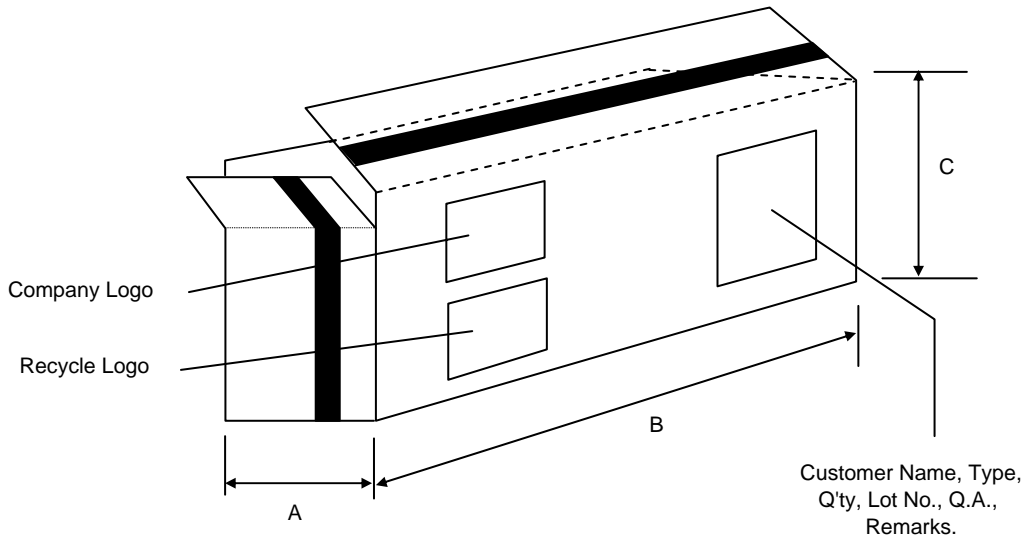


$$|D1 - D2| = 1.4 (0.055) \text{ max.}$$



Packaging Information

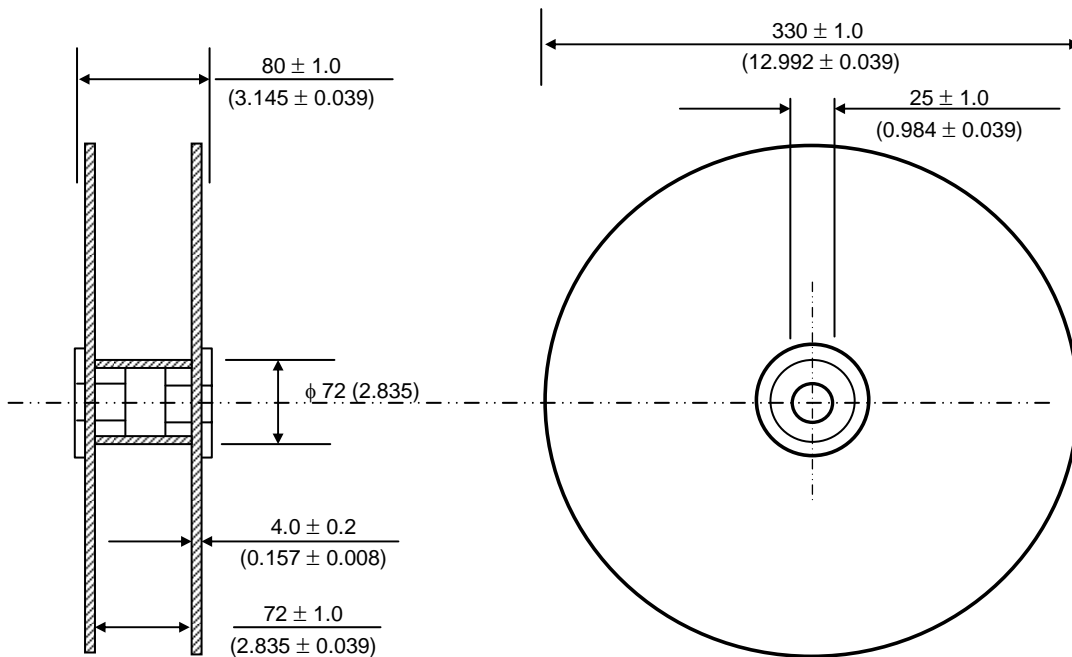
AMMOPACK PACKAGING (AXIAL LEAD DIODES)



| Packaging | Type Dimensions [mm. (inches)] | | |
|-----------------|----------------------------------|-----------------------------------|----------------------------------|
| | Dimension "A" | Dimension "B" | Dimension "C" |
| 26mm Horizontal | 44 ± 2.0 (1.732 \pm 0.079) | 247 ± 2.0 (9.725 \pm 0.079) | 135 ± 2.0 (5.32 \pm 0.079) |
| 52mm Horizontal | 70 ± 2.0 (2.756 \pm 0.079) | 250 ± 2.0 (9.842 \pm 0.079) | 135 ± 2.0 (5.32 \pm 0.079) |

REEL PACKAGING (AXIAL LEAD DIODES)

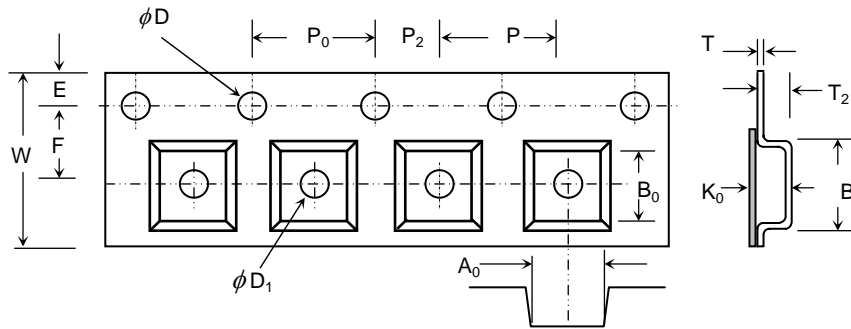
DIMENSIONS IN mm. (inches)





Packaging Information

SURFACE MOUNT TAPE AND REEL PACKAGING



DIMENSIONS IN mm. (inches)

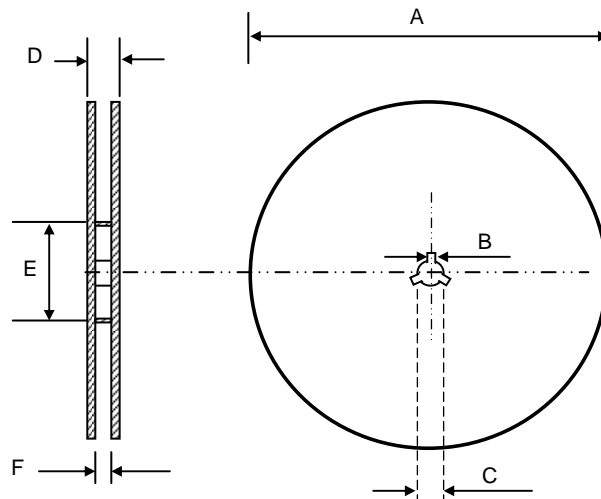
| | Tape Size | D | E | P ₀ | T Max. | A ₀ , B ₀ , K ₀ | P ₂ |
|--------------------------|--------------|--------------------------------|--------------------------------|-------------------------------|--------------------------------|--|--------------------------------|
| | 8, 12, 16mm. | 1.50 ± 0.10 (0.059 ± 0.004) | 1.75 ± 0.1 (0.069 ± 0.004) | 4.00 ± 0.1 (0.157 ± 0.004) | 0.600 (0.024) | See Note 1 | 2.00 ± 0.05 (0.079 ± 0.002) |
| Case Type | Tape Size | W | P | B ₁ Max. | F | T ₂ Max. | D ₁ |
| MiniMELF, SOD-323 | 8mm. | 8.00 ± 0.3 (0.314 ± 0.012) | 4.00 ± 0.1 (0.157 ± 0.004) | 4.2(0.165) | 3.50 ± 0.05 (0.137 ± 0.002) | 2.4(0.094) | 1.00 ± 0.10 (0.039 ± 0.004) |
| MELF | 12mm. | 12.00 ± 0.3 (0.472 ± 0.012) | 4.00 ± 0.1 (0.157 ± 0.004) | 8.2(0.323) | 5.50 ± 0.05 (0.217 ± 0.002) | 4.5(0.177) | 1.50 ± 0.25 (0.059 ± 0.001) |
| SMA | 12mm. | 12.00 ± 0.3 (0.472 ± 0.012) | 4.00 ± 0.1 (0.157 ± 0.004) | | 5.50 ± 0.05 (0.217 ± 0.002) | 2.54 ± 0.10 (0.100 ± 0.004) | 1.50 ± 0.25 (0.059 ± 0.001) |
| SMB | 12mm. | 12.00 ± 0.3 (0.472 ± 0.012) | 8.00 ± 0.1 (0.315 ± 0.004) | | 5.50 ± 0.05 (0.217 ± 0.002) | 2.67 ± 0.10 (0.105 ± 0.004) | 1.50 ± 0.25 (0.059 ± 0.001) |
| SMC, MBS | 16mm. | 16.00 ± 0.3 (0.629 ± 0.012) | 8.00 ± 0.1 (0.315 ± 0.004) | 12.1(0.476) | 7.50 ± 0.1 (0.295 ± 0.004) | 2.5 ± 0.10 (0.100 ± 0.004) | 1.50 ± 0.25 (0.059 ± 0.001) |
| DFS | 16mm. | 16.00 ± 0.3 (0.629 ± 0.012) | 12.00 ± 0.1 (0.473 ± 0.004) | | 7.50 ± 0.1 (0.295 ± 0.004) | 3.8 ± 0.10 (0.150 ± 0.004) | 1.50 ± 0.25 (0.059 ± 0.001) |

Note:

1. A₀, B₀, and K₀ are determined by the maximum dimensions of the component size. The clearance between the component and the cavity must be within 0.05 mm (0.002") min. to 0.5 mm (0.02") max. for 8mm tape and 12mm tape and 0.15mm(0.066") min. to 0.90 mm (0.035") max. for 16 mm. tape.

Packaging Information

REEL PACKAGING (SURFACE MOUNT DIODES)



DIMENSIONS IN mm. (inches)

| Tape Size | A max. | B max. | C | D max. | E min. | F max. |
|--------------|---|----------------|------------------------------|-----------------|---------------|-----------------|
| 8 mm | 178 ± 2.0 (7.0 ± 0.079) 330 ± 2.0 (13 ± 0.079) | 2.5 (0.098) | 13.0 ± 2.0 (0.51 ± 0.079) | 14.4 (0.567) | 100 (3.94) | 9.9 (0.389) |
| 12 mm | 330 ± 2.0 (13 ± 0.079) | 2.5 (0.098) | 13.0 ± 2.0 (0.51 ± 0.079) | 18.4 (0.724) | 100 (3.94) | 14.4 (0.567) |
| 16 mm | 330 ± 2.0 (13 ± 0.079) | 2.5 (0.098) | 13.0 ± 2.0 (0.51 ± 0.079) | 22.4 (0.802) | 100 (3.94) | 18.4 (0.724) |