

SB060W-30

PRV : 30 Volts
I_O : 2.0 Ampere

FEATURES :

- * Silicon epitaxial planar
- * Low forward voltage
- * Low reverse current
- * High reliability
- * **Pb / RoHS Free**

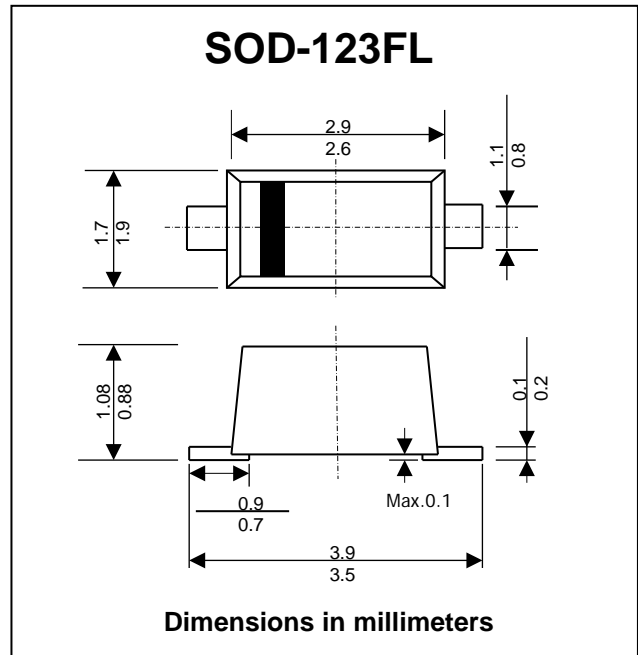
APPLICATIONS :

- * General rectification

MECHANICAL DATA :

- * Case : SOD-123FL
- * Weight: 0.006 ounces, 0.02 gram
- * Marking Code : 85

SURFACE MOUNT SCHOTTKY BARRIER RECTIFIER



Maximum Ratings and Thermal Characteristics (Ta = 25 °C)

| Parameter | Symbol | Value | Unit |
|---|------------------|--------------|------|
| Maximum DC reverse voltage | V _R | 30 | V |
| Maximum peak reverse voltage | V _{RM} | 30 | V |
| Maximum average forward current ⁽¹⁾ | I _F | 2 | A |
| Maximum peak forward surge current 8.3ms single half sine wave | I _{FSM} | 55 | A |
| Junction Temperature | T _J | 150 | °C |
| Storage temperature range | T _{STG} | -55 to + 150 | °C |

Electrical Characteristics (Ta = 25 °C)

| Parameter | Symbol | Test Condition | Min | Max | Unit |
|-----------------|----------------|------------------------|------|------|------|
| Forward Voltage | V _F | I _F = 1.0 A | 0.32 | 0.45 | V |
| | V _F | I _F = 2.0 A | 0.36 | 0.49 | V |
| Reverse Current | I _R | V _R = 30 V | - | 50 | μA |