

# UDZS Series

$V_Z$  : 2.4 to 39 Volts  
 $P_D$  : 200 mW

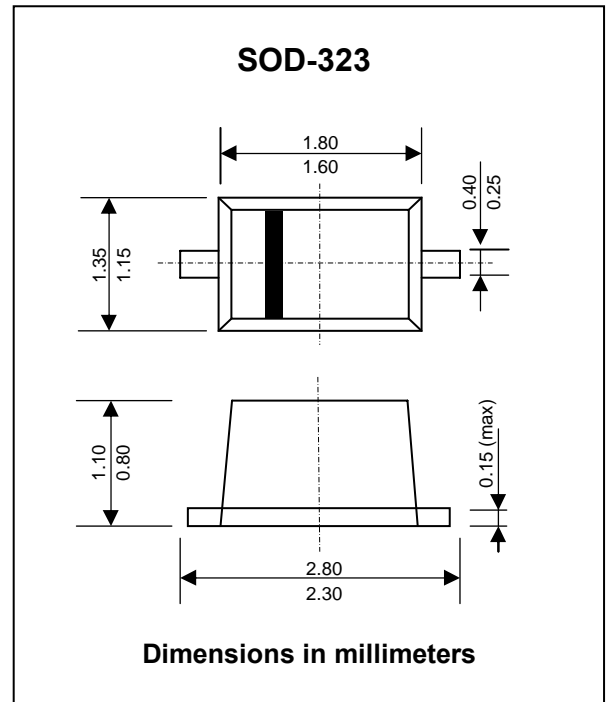
## FEATURES :

- \* Compact, 2-pin mini-mold type for high-density mounting. (UMD2)
- \* Non-wire bonding structure improves.
- \* High demand voltage range (3.6 V-36V) is manufactured on high-efficient non-wire bonding production line.
- \* Pb / RoHS Free

## MECHANICAL DATA :

- \* **Case:** SOD-323 Plastic Package
- \* **Weight:** approx. 0.004g

## ZENER DIODES



## Maximum Ratings and Thermal Characteristics

Rating at 25 °C ambient temperature unless otherwise specific.

Parameter	Symbol	Value	Unit
Zener Current see Table "Characteristics"			
Power Dissipation at Ta = 25°C	$P_D$	200	mW
Junction temperature	$T_J$	125	°C
Storage temperature	$T_{STG}$	-55 to + 150	°C

## ELECTRICAL CHARACTERISTICS (Ta = 25 °C)

Type Numbers	Marking Code	Zener voltage $V_Z @ I_{ZT}$			Operating resistance $Z_{ZT}$		Rising operating resistance $Z_{ZK}$		Maximum Reverse Leakage Current	
		Min.	Max.	$I_{ZT}$	Max.	@ $I_{ZT}$	Max.	@ $I_{ZK}$	$I_R @ V_R$	
		(V)	(V)	(mA)	( $\Omega$ )	(mA)	( $\Omega$ )	(mA)	( $\mu A$ )	(V)
UDZS3.6B	DY	3.600	3.845	5	100	5	1000	1.0	10.0	1.0
UDZS3.9B	DZ	3.890	4.160	5	100	5	1000	1.0	5.0	1.0
UDZS4.3B	ZO	4.170	4.430	5	100	5	1000	1.0	5.0	1.0
UDZS4.7B	EB	4.550	4.750	5	100	5	800	0.5	2.0	1.0
UDZS5.1B	EC	4.980	5.200	5	80	5	500	0.5	2.0	1.0
UDZS5.6B	ED	5.490	5.730	5	60	5	200	0.5	1.0	2.5
UDZS6.2B	EE	6.060	6.330	5	60	5	100	0.5	1.0	3.0
UDZS6.8B	EF	6.650	6.930	5	40	5	60	0.5	0.5	3.5
UDZS7.5B	EH	7.280	7.600	5	30	5	60	0.5	0.5	4.0
UDZS8.2B	EJ	8.020	8.360	5	30	5	60	0.5	0.5	5.0
UDZS9.1B	EK	8.850	9.230	5	30	5	60	0.5	0.5	6.0
UDZS10B	EM	9.770	10.210	5	30	5	60	0.5	0.1	7.0
UDZS11B	EN	10.760	11.220	5	30	5	60	0.5	0.1	8.0
UDZS12B	EP	11.740	12.240	5	30	5	80	0.5	0.1	9.0
UDZS13B	ER	12.910	13.490	5	37	5	80	0.5	0.1	10.0
UDZS15B	EX	14.340	14.980	5	42	5	80	0.5	0.1	11.0
UDZS16B	EY	15.850	16.510	5	50	5	80	0.5	0.1	12.0
UDZS18B	EZ	17.560	18.350	5	65	5	80	0.5	0.1	13.0
UDZS20B	FA	19.520	20.390	5	85	5	100	0.5	0.1	15.0
UDZS22B	FB	21.540	22.470	5	100	5	100	0.5	0.1	17.0
UDZS24B	FC	23.720	24.780	5	120	5	120	0.5	0.1	19.0
UDZS27B	FD	26.190	27.530	5	150	5	150	0.5	0.1	21.0
UDZS30B	FC	29.190	30.690	5	200	5	200	0.5	0.1	23.0
UDZS33B	FE	32.150	33.790	5	250	5	250	0.5	0.1	25.0
UDZS36B	FH	35.070	36.870	5	300	5	300	0.5	0.1	27.0
UDZS39B	FJ	38.220	39.780	5	100	2	-	-	2	30.0

**Notes:**

- (1) The Zener voltage ( $V_Z$ ) is measured 40 ms after power is supplied.
- (2) The operating resistances ( $Z_Z$ ,  $Z_{ZK}$ ) are measured by superimposing a minute alternating current on the regulated current ( $I_Z$ ).