



Electronics Industry Public Company Limited

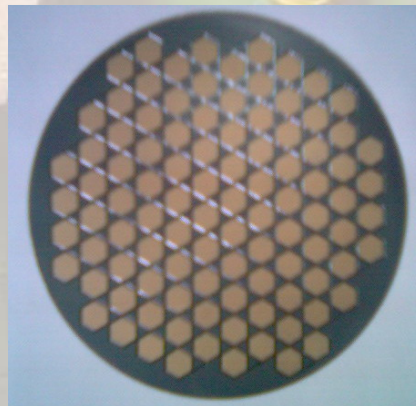
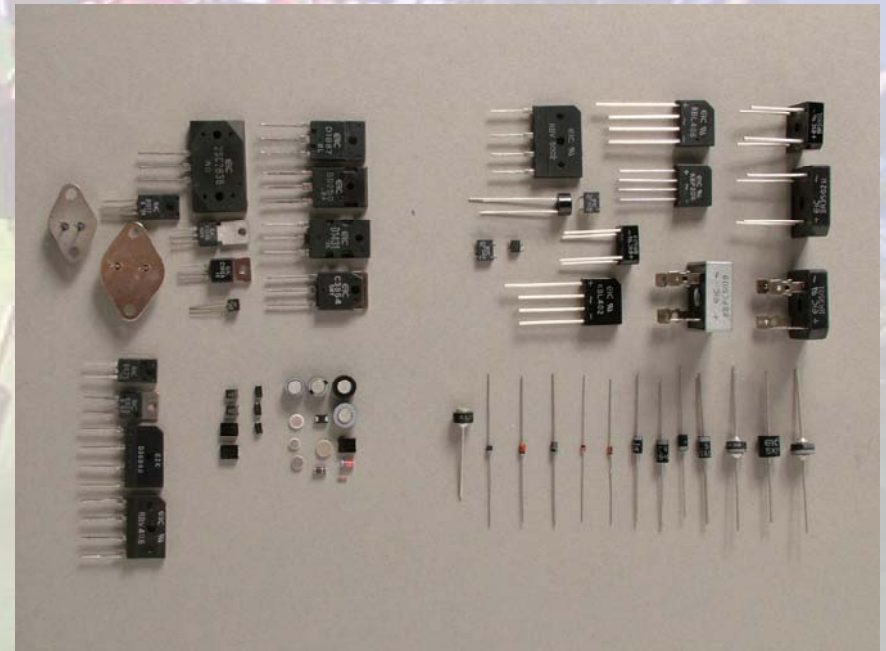
Corporate Presentation

EIC Overview

- ❖ Established since 1984
- ❖ Over 24 years in business
- ❖ First semiconductor diode manufacturer in Thailand
- ❖ End to end manufacturer of discrete semiconductor devices
- ❖ Assembly facility in Bangkok, with wafer fab opened in 2006
- ❖ Publicly listed company since 2003
- ❖ Headquarter in Thailand, with sale offices worldwide
- ❖ Quality – ISO9001,ISO14001 and ISO/TS16949 certified from design through after sales services
- ❖ All products are RoHS compliant
- ❖ Broad range of diode products – more than 12,000 items
- ❖ Sell to leading customers including Toshiba, Matsushita, Cisco, Evergreen, Rockwell, Boeing, BMW, Ferrari Jaguar, SEW

EIC Products

1. Wafer
2. Zeners
3. Rectifiers
4. Transient Voltage Suppressors
5. Switching / Small Signal
6. Transistors



EIC Product Strength

❖ Zener Diodes

- 4814 part numbers, 10 package options

❖ Transient Voltage Suppressor Diodes

- Full range from 150W to 30,000W, 6.4V to 480V
- 4771 part numbers, option including ultra low capacitance

❖ Rectifier Diodes

- 2672 part numbers
- Automotive Rectifiers AR/MR series
- High Efficiency Rectifiers HER series
- Bridge Rectifiers 2-50A
- Schottky Barrier Rectifier Diodes
- Super Fast Rectifier Diodes

❖ Switching / Small Signal

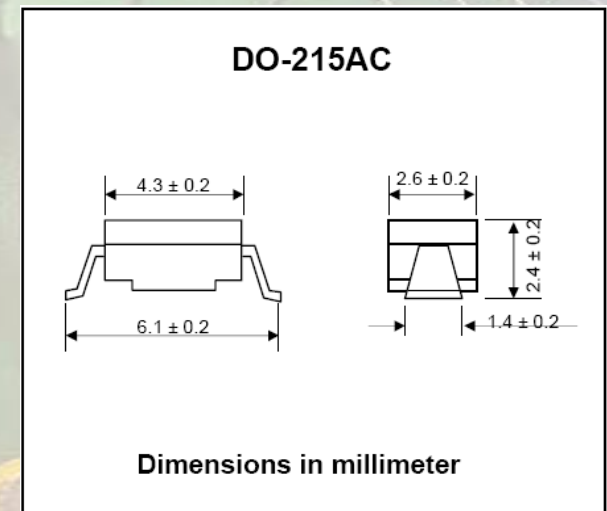
- 86 part numbers
- Focus on Schottky Small Signal



EIC New Product Development in 2007

GR15-G - High Voltage Fast Recovery Rectifier

- ❑ Ideal for UPS and Frequency converters
- ❑ Replaces existing Axial packages
- ❑ Glass Passivated for robustness
- ❑ Designed based on customer input
 - UNIQUE EIC surface mount solution that fits all



EIC Product Development in 2007

High Voltage Schottky Diodes

- ❑ EIC has developed Schottky Barrier Rectifier Diodes from 120V to 200V Range from 3 to 30A. We are also investigating 1-5A and 40A versions SMB, SMC, TO-220 and ITO-220 packages
- ❑ Applications: Power Supplies, Plasma and LCD televisions, other consumer and automotive applications.

Markets for EIC Products

The most specific applications and markets for EIC products :

- Power supplies (Industrial & Telecom)
- Motor Drives
- Lighting (Compact Fluorescent Lamp, Ballast)
- Automotive
- Consumer applications
- Solar Cell
- Automation and Safety
- Telecommunication

Application of EIC Products in Automotive (2)

□ EIC Parts are used in many systems in a car :

- ✓ Ignition
- ✓ Electric Windows
- ✓ Positioning of Steering Column
- ✓ Body Control
- ✓ Cooling Radiator System
- ✓ Battery Charger
- ✓ Over Voltage Protection

Application of EIC Products in Solar Power

SOLAR POWER PRODUCTS

- ❖ EIC parts offering to SOLAR Power Products are Automotive RECTIFIER and SCHOTTKY.
- ❖ EIC wins 2 major manufacturers in USA and Germany in 2007.
- ❖ We have started with the SD945 (Schottky) in France.
- ❖ We have designed some special new parts for customers in USA, Spain, France, Germany and UK where all parts are qualified and approved.



WORLDWIDE SALES OFFICE

American :

EIC SEMICONDUCTOR INC.
12698 Schabarum Avenue,
Irwindale, CA 91706, USA
Tel: (1-626) 960 0877
Fax: (1-626) 960 0871
E-mail: sales@eicsemi.com

EUROPE :

EIC SEMI LTD
61 Capesthorpe Drive
Swindon, SN25 1UP, UK
Tel : 44 (0) 1793 703579
FAX: 44 (0) 1793 877148
Email:
eurosales@eicsemi.com

CHINA :

SUN LIGHT, CHINA HEADQUARTER
Sun Light Electronic Building,
Punan Road, Eastern Section of
Guangzhou Economic and Technological
Development District, Guangzhou China 510760
Tel: (86-20) 822 51238
Fax: (86-20) 822 51805

HONG KONG :

EIC INTERNATIONAL CO.,LTD
Room 702, Block B, Hoi Luen Industrial Centre,
55 Hoi Yuen Road, Kwun Tong, Kowloon, Hong Kong
Tel: (852) 2341 6681
Fax: (852) 2343 9959

SUN LIGHT ELECTRONICS (H.K.) LTD.
Room 703, Block B, Hoi Luen Industrial Centre,
55 Hoi Yuen Road, Kwun Tong, Kowloon, Hong Kong
Tel: (852) 2389 8280
Fax: (852) 2343 2315
E-mail : info@sunlight.com

COMPANY HEADQUARTERS:

ELECTRONICS INDUSTRY PLC. (Registration No. 40854600004)
103, 117 Moo 4 EPZ 1, Lat Krabang Industrial Estate, Lat Krabang, Bangkok 10520 Thailand
Tel: (662) 326 1234, 326 0541, 326 0102 Fax: (662) 326 1020, 326 0933
E-mail: eic@eicsemi.com Website: www.eicsemi.com