

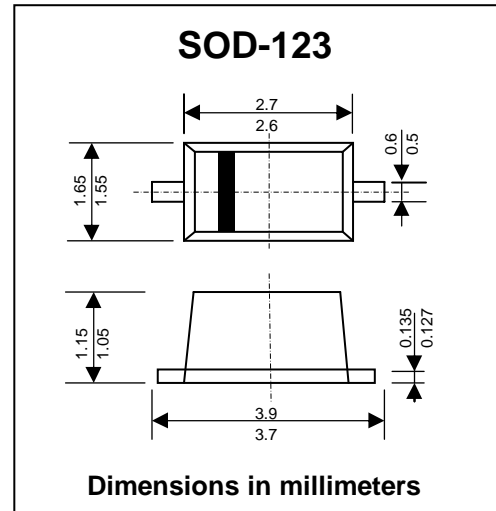
1N5817WB - 1N5819WB

SCHOTTKY BARRIER DIODES

PRV : 20 - 40 Volts
IO : 1.0 Ampere

MECHANICAL DATA :

- * Case : SOD-123
- * Weight : 0.01 gram (approximately)
- * 1N5817WB Marking Code : A0
- * 1N5818WB Marking Code : ME
- * 1N5819WB Marking Code : SR



Absolute Maximum Rating (Ta = 25 °C)

| Parameter | Symbol | Value | Unit |
|--------------------------------------|-----------|--------------|------|
| DC Reverse Voltage | 1N5817WB | 20 | V |
| | 1N5818WB | 30 | |
| | 1N5819WB | 40 | |
| Average Rectified Output Current | I_O | 1.0 | A |
| Power Dissipation | P_{tot} | 450 | mW |
| Operating Junction Temperature Range | T_J | -55 to + 150 | °C |
| Storage Temperature Range | T_{STG} | -55 to + 150 | °C |

Electrical Characteristics (Ta = 25 °C)

| Parameter | Symbol | Min | Typ | Max | Unit |
|---|---------------------------|-----|-------|-------|------|
| Reverse Breakdown Voltage at $I_R = 1$ mA | 1N5817WB | 20 | - | - | V |
| | 1N5818WB | 30 | - | - | |
| | 1N5819WB | 40 | - | - | |
| Reverse Leakage Current | at $V_R = 20$ V 1N5817WB | - | - | 1 | mA |
| | at $V_R = 30$ V 1N5818WB | - | - | 1 | |
| | at $V_R = 40$ V 1N5819WB | - | - | 1 | |
| | at $V_R = 4$ V 1N5819WB | - | - | 0.050 | |
| | at $V_R = 6$ V 1N5819WB | - | - | 0.075 | |
| Forward Voltage | at $I_F = 0.1$ A 1N5819WB | - | - | 0.45 | V |
| | at $I_F = 1.0$ A 1N5817WB | - | - | 0.45 | |
| | 1N5818WB | - | - | 0.55 | |
| | 1N5819WB | - | - | 0.60 | |
| | at $I_F = 3.0$ A 1N5817WB | - | - | 0.750 | |
| 1N5818WB | - | - | 0.875 | | |
| 1N5819WB | - | - | 0.900 | | |
| Diode Capacitance at $V_R = 4$ V, $f = 1$ MHz | C_D | - | - | 120 | pF |